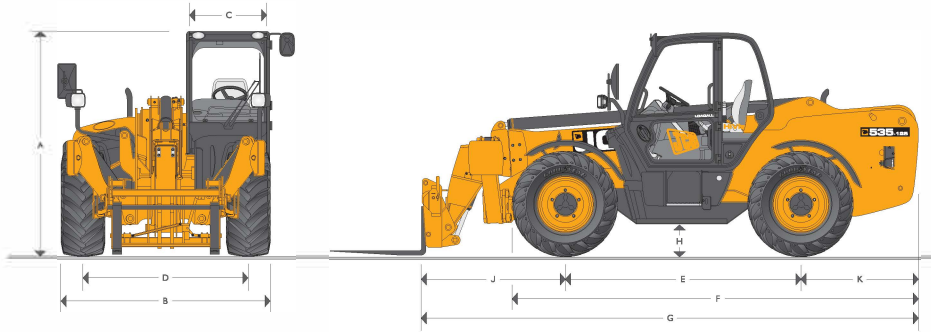
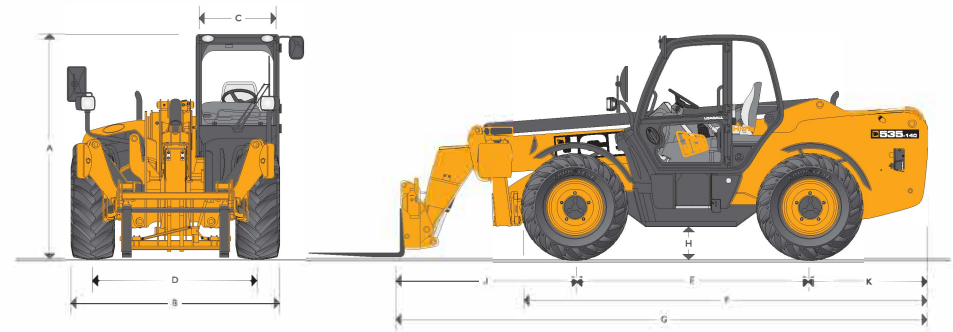


MAX. PAYLOAD: 3.5 tonnes (7716lb) MAX. LIFT HEIGHT: 12.3 metres (40ft 4in) and 13.8 metres (45ft 3in)

STATIC DIMENSIONS – 535-125 HiViz



STATIC DIMENSIONS – 535-140 HiViz



STATIC DIMENSIONS – 535-125 HiViz

Machine model	535-125 HiViz	
	m (ft-in)	
A Overall height	2.59 (8-6)	
B Overall width (over tyres)*	2.35 (7-9)	
C Inside width of cab	0.94 (3-1)	
D Front track	1.90 (6-3)	
E Wheelbase	2.75 (9-0)	
F Overall length to front tyres	4.74 (15-7)	
G Overall length to front carriage	5.80 (19-0)	
H Ground clearance	0.40 (1-4)	
J Front wheel centre to carriage	1.68 (5-6)	
K Rear wheel centre to rear face	1.37 (4-6)	
Overall width with stabilisers fully deployed	2.57 (8-5)	
Outside turn radius (over tyres)	3.75 (12-4)	
Carriage roll back angle @ ground level	degrees	37.0
Carriage dump angle @ boom fully raised	degrees	12.5
Weight	kg (lb)	9720 (21429)
Tyres	15.5/80-24	

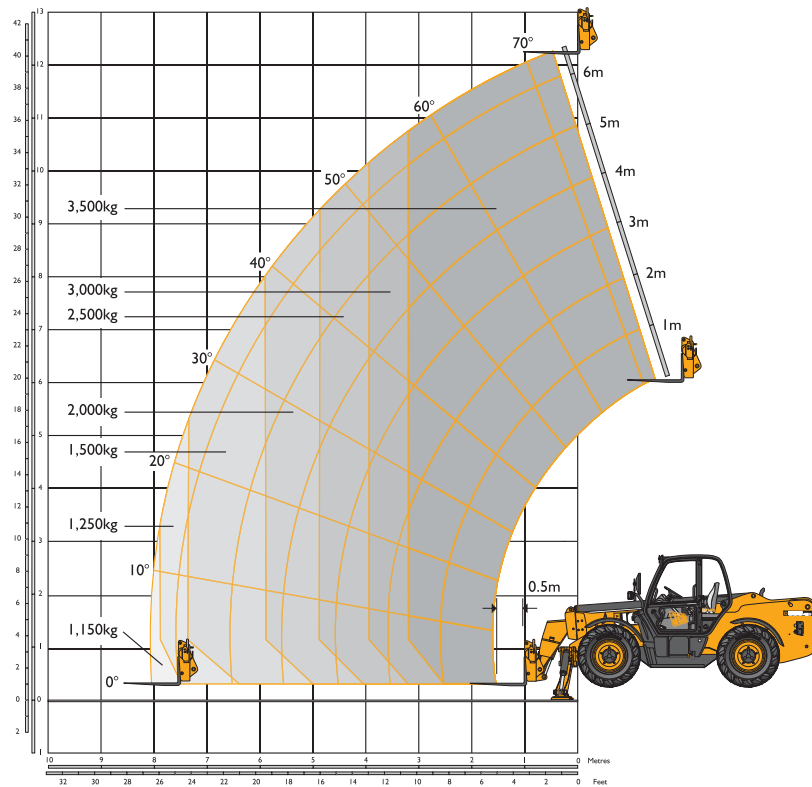
\*Dependant upon tyre specified.

STATIC DIMENSIONS – 535-140 HiViz

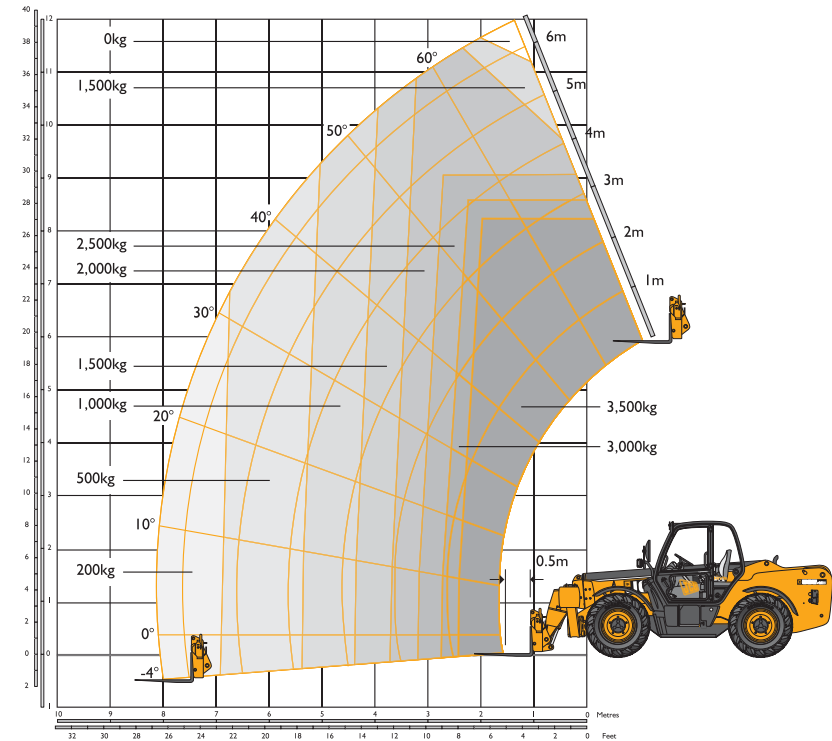
Machine model	535-140 HiViz	
	m (ft-in)	
A Overall height	2.59 (8-6)	
B Overall width (over tyres)*	2.35 (7-9)	
C Inside width of cab	0.94 (3-1)	
D Front track	1.90 (6-3)	
E Wheelbase	2.75 (9-0)	
F Overall length to front tyres	4.74 (15-7)	
G Overall length to front carriage	6.23 (20-5)	
H Ground clearance	0.40 (1-4)	
J Front wheel centre to carriage	2.11 (6-11)	
K Rear wheel centre to rear face	1.37 (4-6)	
Overall width with stabilisers fully deployed	2.57 (8-5)	
Outside turn radius (over tyres)	3.75 (12-4)	
Bucket roll back angle @ ground level	degrees	37
Bucket dump angle @ boom fully raised	degrees	12.5
Weight	kg (lb)	10880 (23986)
Tyres	15.5/80-24	

\*Dependant upon tyre specified.

LIFT PERFORMANCE – STABILISERS EXTENDED – 535-I25 HiViz



LIFT PERFORMANCE – STABILISERS RETRACTED – 535-I25 HiViz



Chassis Levelling (Sway)  
With stabilisers retracted (Sway angle  $\pm 9^\circ$ )

LIFT PERFORMANCE – STABILISERS EXTENDED – 535-I25 HiViz

With Stabilisers Extended		
Maximum lift capacity	kg (lb)	3500 (7716)
Lift capacity to full height	kg (lb)	3500 (7716)
Lift capacity at full reach	kg (lb)	1150 (2535)
Lift height	m (ft-in)	12.28 (40-3)
Reach at maximum lift height	m (ft-in)	0.46 (1-6)
Maximum forward reach	m (ft-in)	8.06 (26-5)
Reach with 1 tonne load	m (ft-in)	8.06 (26-5)
Placing Height	m (ft-in)	11.75 (38-7)

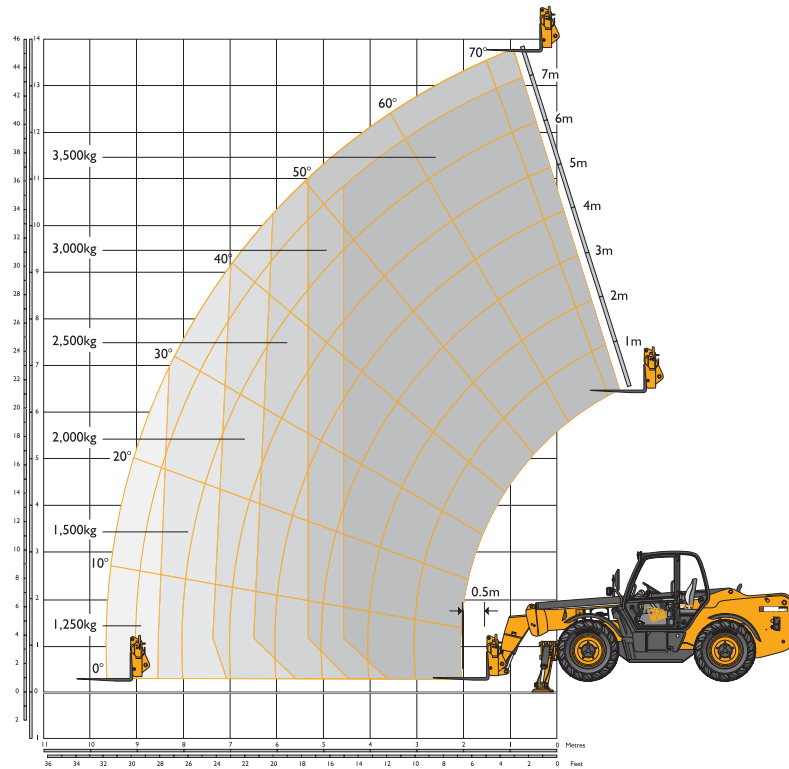
Complies with stability test EN1459 annex B.

LIFT PERFORMANCE – STABILISERS RETRACTED – 535-I25 HiViz

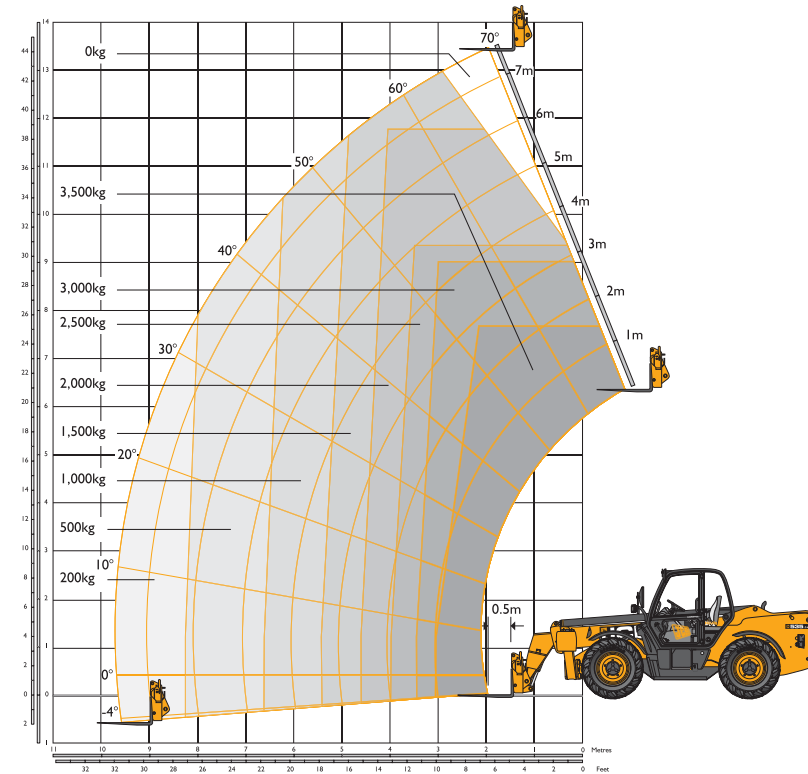
With Stabilisers Retracted		
Maximum lift capacity	kg (lb)	3500 (7716)
Lift capacity to full height	kg (lb)	1500 (3307)
Lift capacity at full reach	kg (lb)	200 (441)
Lift height	m (ft-in)	12.07 (39-7)
Reach at maximum lift height	m (ft-in)	1.36 (4-6)
Maximum forward reach	m (ft-in)	8.10 (26-7)
Reach with 1 tonne load	m (ft-in)	5.31 (17-5)
Placing Height	m (ft-in)	11.43 (37-5)

Complies with stability test EN1459 annex B.

LIFT PERFORMANCE – STABILISERS EXTENDED – 535-I40 HiViz



LIFT PERFORMANCE – STABILISERS RETRACTED – 535-I40 HiViz



Chassis Levelling (Sway)  
With stabilisers retracted (Sway angle  $\pm 9^\circ$ )

LIFT PERFORMANCE – STABILISERS EXTENDED – 535-I40 HiViz

With Stabilisers Extended

Maximum lift capacity	kg (lb)	3500 (7716)
Lift capacity to full height	kg (lb)	3000 (6614)
Lift capacity at full reach	kg (lb)	1250 (2756)
Lift height	m (ft-in)	13.78 (45-2)
Reach at maximum lift height	m (ft-in)	0.93 (3-0)
Maximum forward reach	m (ft-in)	9.60 (31-6)
Reach with 1 tonne load	m (ft-in)	9.60 (31-6)
Placing Height	m (ft-in)	13.30 (43-8)

Complies with stability test EN1459 Annex B.

LIFT PERFORMANCE – STABILISERS RETRACTED – 535-I40 HiViz

With Stabilisers Retracted

Maximum lift capacity	kg (lb)	3500 (7716)
Lift capacity to full height	kg (lb)	1500 (3307)
Lift capacity at full reach	kg (lb)	200 (441)
Lift height	m (ft-in)	13.47 (44-2)
Reach at maximum lift height	m (ft-in)	1.94 (6-4)
Maximum forward reach	m (ft-in)	9.70 (31-10)
Reach with 1 tonne load	m (ft-in)	6.61 (21-8)
Placing Height	m (ft-in)	13.02 (42-9)

Complies with stability test EN1459 Annex B.

## ENGINE

Latest technology and advanced design provides low fuel consumption, reduced noise, high torque and power output, total reliability and minimal maintenance. Two-stage, dry type air filter with primary and safety elements. Territory dependent.

		Standard	Standard	Option	Option
Engine standard		Stage II	Stage III	Stage II	Stage III
Manufacturer		JCB	JCB	JCB	JCB
Displacement	ltr (in <sup>3</sup> )	4.4 (269)	4.4 (269)	4.4 (269)	4.4 (269)
No. of cylinders		4	4	4	4
Bore size	mm (in)	103 (4.05)	103 (4.05)	103 (4.05)	103 (4.05)
Stroke	mm (in)	132 (5.0)	132 (5.0)	132 (5.0)	132 (5.0)
Aspiration		Naturally aspirated	Turbo	Turbo	Turbocharged Cooled
<b>Power rating</b>					
Power @ 2200rpm	kW (HP)	63 (85)	63 (85)	74.2 (100)	74.2 (100)
<b>Torque rating</b>					
Torque @ 1200rpm	Nm (lbf ft)	320 (236)	362 (267)	–	–
Torque @ 1300rpm	Nm (lbf ft)	–	–	425 (313)	440 (324)

## TRANSMISSION

JCB Powershift transmission incorporating torque converter, bevel box and a 4-speed Powershift gearbox in one resiliently mounted unit.

A combined steering column mounted switch incorporating directional control and 4 forward and 4 reverse Powershift gears. Travel speed 29kph (18mph). Optional 33kph (20mph) transmission.

**Front- and rear drive axles:** JCB epicyclic hub reduction drive/steer axles with Max-Trac torque proportioning differentials. Permanent 4 wheel drive.

## BRAKES

**Service brakes:** Servo assisted, hydraulically activated, self-adjusting, oil-immersed multi-disc type on front and rear axle.

**Parking brake:** Hand-operated disc brake on output of gearbox.

## BOOM AND CARRIAGE

Boom is manufactured from high tensile steel.

Low-maintenance, hard-wearing pads.

JCB Q-fit self-levelling carriage with lever-operated pin locking accepts pallet forks and a wide range of attachments.

One boom end auxiliary hydraulic service fitted as standard.

## SAFETY CHECK VALVES

Fitted to carriage tilt, telescopic and boom lift rams.

## SERVICE CAPACITIES

Fuel tank	litres (UK gal)	146 (32.1)
Hydraulic tank	litres (UK gal)	127 (27.9)
Coolant	litres (UK gal)	23 (5.1)



### HYDRAULICS

Gear pump with suction strainer and filter.

		535-125 HiViz	535-140 HiViz
Operating system pressure	bar (psi)	260 (3770)	260 (3770)
Pump flow	ltrs/min	110	110
<b>Hydraulic Cycle Times</b>		<b>Seconds</b>	<b>Seconds</b>
Boom raise		10.4	13.5
Boom lower		8.1	11.0
Extend		15.7	15.6
Retract		12.8	14.4
Bucket dump		1.8	1.7
Bucket crowd		2.3	2.0

### ELECTRICS

12 v negative earth. 95 AH battery. 95 amp alternator. Full road lighting. Reversing light. Direction indicators. Hazard warning. Reverse alarm.

### CAB

Quiet, safe and comfortable cab conforms to ROPS ISO 3471 and FOPS ISO 3449. Tinted glass all round. Laminated roof screen. Roof bars, front, rear and roof screen wash/wipe and heater/screen demister. Opening rear window. Audio-visual warning system for coolant temperature, engine oil pressure, air cleaner, battery charge, transmission oil temperature and pressure, water in fuel. Hourmeter and road-speed indicator. Engine temperature, fuel gauge, clock and inclinometer.

Mechanical joystick, direct-acting hydraulic control levers. Adjustable steer column with stalk bar Powershift change and forward reverse shuttle. Throttle and brake pedal. Adjustable deluxe seat with adjacent park brake fitted.

Automatic, eye-level, audio-visual load moment indicator warning system receiving a signal from a load sensor on the rear axle. This system continuously monitors the machine's forward stability and leaves the operator in control at all times.

Optional indicator lamp to show when the stabilisers are on firm ground – Standard in EU territories.

Safety canopy as above but with side glass only (screen wiper and heater/screen demister not applicable).

### STEERING

Hydrostatic power steering with power track rods on both axles.

Three steer mode options: front-wheel steer, all-wheel steer, crab steer. All operated from in the cab by a selection lever (Auto-steer optional).

### OPTIONS AND ACCESSORIES

**Options:** Front and rear working lights, rotating flashing beacon, fire extinguisher, traction and industrial tyres, electrical 2/4WD select, windscreen and roof guard, air suspension seat, deluxe cab trim, roof and front screen blind, radio kit, air conditioning, clearview carriage, sideshift, roof moulding, reversing fan.

**Attachments:** Contact your local dealer for details of the comprehensive range.

\*Adaptive Load Control for EU territories conforms to EN15000.