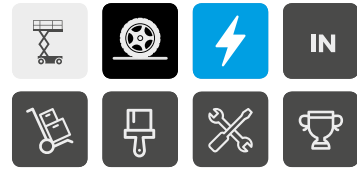


COMPACT 14



EXCEPTIONAL PRODUCTIVITY

- > Working height up to 13.85 m
- > Driveable at full height
- > Load capacity: 350 kg
- > Robust, reliable, easy to maintain
- > Extended platform
- > Long working cycles

OPTIMUM COMPACTNESS

- > 1.2 m width
- > Folding guardrails



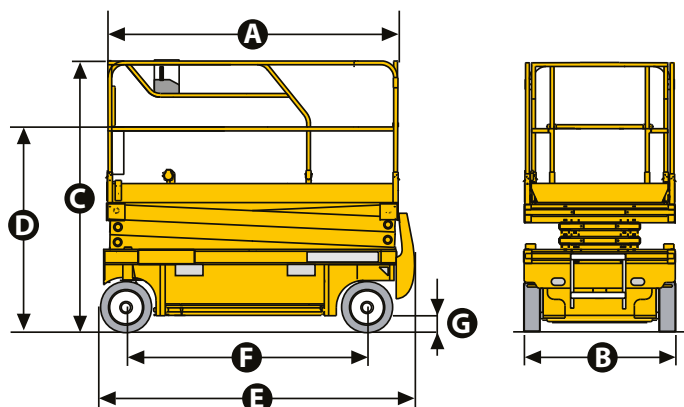
COMPACT 14

ELECTRIC SCISSOR LIFTS

TECHNICAL DATA

COMPACT 14

| | |
|--------------------------------------|---------------------|
| Working height | 13.85 m |
| Platform height | 11.85 m |
| Maximum drive height | 11.85 m |
| Lift capacity - inside | 350 kg (3 pers.) |
| Lift capacity on the extension | 150 kg |
| A Platform length - outside | 2.31 m |
| Platform length - extended | 3.23 m |
| Length - extension | 0.92 m |
| Platform width - outside | 1.2 m |
| D Storage height | 2.08 m |
| C Height - stowed | 2.5 m |
| B Overall width | 1.2 m |
| E Length | 2.49 m |
| F Wheelbase | 1.86 m |
| G Ground clearance - center | 13 cm |
| Ground clearance - deployed potholes | 2.3 cm |
| Drive speed | 0.9 - 2.7 km/h |
| Gradeability | 23 % |
| Tilt | 2° / 3° |
| Lift / lower speed | 61 s / 50 s |
| Turning radius - outside | 2.5 m |
| Non-marking tyres | 15 x 5 |
| Batteries | 24 V - 340 Ah (C20) |
| Hydraulic system capacity | 25 l |
| Weight | 3 175 kg |



STANDARD EQUIPMENT

- > 24 V DC motor
- > Battery charger with automatic stop
- > Battery charge indicator
- > Integrated forklift pockets
- > Pothole guards
- > Proportional lift and drive
- > 2 front steering & driving wheels
- > Folding handrails
- > Solid non-marking tyres
- > Brake release
- > Swing out component tray
- > Load Management System in the platform
- > Tilt controller
- > Hourmeter
- > Horn
- > Removable control box in platform
- > Manual platform lowering valve
- > Towing hooks

OPTIONS AND ACCESSORIES

- > Power to platform
- > Swing door entry gate
- > Biodegradable hydraulic oil
- > Centralised battery filling
- > Pipe cradle
- > Flashing light
- > Working light

